

财富热线
+86 758 3602818



The fresh keeper for
The **BEST**
Since 1958 from Australia



肇庆格林和制冷设备有限公司

Zhaoqing Greenhalgh Refrigeration Equipment Co., Ltd.

地址:广东省肇庆高新技术产业开发区临江工业园宝石路 邮编:526238

Address:Baoshi Road Linjiang Industrial Park Zhaoqing High-Tech Industry
Development Zone Guangdong, China, 526238

电话(Tel):+86-758-3602818

传真(Fax):+86-758-3130170

邮箱(E-mail):sales@greenhalgh-zq.com

网址(Website):www.greenhalgh-zq.com

E2系列冷风机
Evaporator E2 Series

应用优点

Application benefits/ Features

The fresh keeper for The BEST

高效换热器

High efficiency heat exchanger

- 换热量与广泛应用的压缩机相配
- 翅片和铜管合理设计，能够最大限度的利用其换热性并尽量减少结霜对换热性的影响以获得最佳性价比
- 格林和的热力学及空气动力学设计软件在德国应用多年，得到市场的充分验证
- Capacity design according to the most popular compressor sizes in this range
- Fin and tube design for maximizing the sensible capacity and minimizing the latent heat and frost losses in balance with a cost efficient heat transfer coefficient
- The Greenhalgh thermodynamic and aerodynamic designing software is long year tested and proved in Germany

风扇

Fan

- 格林和只选用低能耗风扇
- 合理的风扇喷嘴设计能够最大限度提高空气流动性并降低噪音；
- 实践证明我们的风扇运行稳定、使用寿命长
- 电机防水防尘等级：IP54,绝缘等级：F
- Greenhalgh chooses only low specific energy consumption fans
- Fan nozzle designs for maximum air flow and air throw
- Our fans from the world's leading manufacturer are practically proved to be reliable in operation and long lasting
- Motor : protection class IP 54 and insulation class F

除霜

Greenhalgh Defrost

- 中温4.2mm和低温6.0mm的片距设计充分保证了在典型湿度条件下，8小时除霜周期内换热器的良好性能
- 除霜加热器性能完全能够满足8小时的除霜周期
- 不锈钢电热器与电线在连接处满足美国UL-SA5102和CSA-LR18489两种隔离标准以确保设备安全
- 出厂前每个除霜加热器都经过满负荷检测，性能可靠
- 除霜加热器接线盒适用于潮湿环境（标准IP 66）和低温条件（测试-40°C）下工作
- 4.2 mm fin spacing for medium temperature and 6.0mm for low temperature ensure a good cooling capacity during a 8 hours cycle under typical humid conditions
- Capacity of the defrost heater is according to the thermodynamic calculation of the latent heat and frost energy related to a 8 hours defrost cycle
- Robust stainless steel electric heater with high isolation cable connections to meet UL-SA5102 and CSA - LR18489 standards and ensure the safety of the equipment
- 100% factory tested at full load and immersed in water tank to minimize the maintenance effort
- Heater wired to electric terminal box suitable for wet conditions (standard IP 66) and low temperature(tested at-40°C)

我们是你通过HACCP认证的最佳帮手
We facilitate you to meet HACCP

- 优质镀锌钢板粉体涂装外壳
- 盘管由高强度的翅片构成能够承受日常清洗
- 排水盘合理设计有利于排水
- 低温工况下的双层排水盘设计
- 每个产品都在31 bar条件下进行检漏测试
- Durable material with slim but rigid enclosure hard gloss powder coated finish
- Coil block made from robust fins to withstand the clearing processes
- Water drain tray design with slope towards the drainage to minimize the water in tray
- Double drip tray for low temperature model
- 100% leakage tested at 31 bar

特殊加工

OPTIONS

- 指定翅片距
- 适用乙二醇的盘管
- Customized fin spacing
- Coil for Glycol operations

工况条件

Catalogue Rating Condition

中温工况(SC2)

- 进风温度0°C
- 蒸发温度-8°C
- 过热度5.2 K
- 过冷度30°C
- 进风相对湿度85%

Medium Temperature (SC2)

- Air Inlet Temperature 0°C
- Evaporating temperature -8°C
- Superheat 5.2 K
- Sub Cooling 30°C
- Relative Humidity 85%

低温设计工况(SC3)

- 进风温度-18°C
- 蒸发温度-25°C
- 过热度4.55 K
- 过冷度20°C
- 进风相对湿度95%

Low Temperature (SC3)

- Air Inlet Temperature -18°C
- Evaporating Temperature -25°C
- Superheat 4.55 K
- Sub Cooling 20°C
- Relative Humidity 95%

不同运输条件下的转换系数
Performance conversion factors

Table 1.-Medium Temperature
表格1.中温工况

		-25	-20	-15	-10	-5	0	2	5	10
Δt(K)	10	0.98	1.10	1.20	1.21	1.25	1.32	1.33	1.36	1.41
	9	0.92	1.00	1.03	1.07	1.11	1.16	1.17	1.20	1.23
	8	0.87	0.87	0.89	0.93	0.97	1.00	1.01	1.03	1.07
	7	0.73	0.75	0.77	0.80	0.83	0.86	0.87	0.88	0.89
	6	0.62	0.63	0.64	0.67	0.69	0.70	0.71	0.72	-
	5	0.50	0.51	0.52	0.54	0.55	0.57	0.57	-	-

Table 2.-Low Temperature
表格2.低温工况

		-35	-30	-25	-20	-18	-15	-10	-5	0
Δt(K)	10	1.05	1.13	1.29	1.45	1.50	1.58	1.60	1.66	1.74
	9	1.00	1.11	1.21	1.32	1.34	1.36	1.41	1.46	1.53
	8	0.93	1.03	1.15	1.15	1.15	1.17	1.23	1.28	1.32
	7	0.91	0.94	0.96	0.99	1.00	1.02	1.06	1.09	1.13
	6	0.79	0.80	0.82	0.83	0.84	0.84	0.88	0.91	0.92
	5	0.63	0.65	0.66	0.67	0.68	0.69	0.71	0.73	0.75



E2系列冷风机

Evaporator E2 Series

The fresh keeper for The BEST

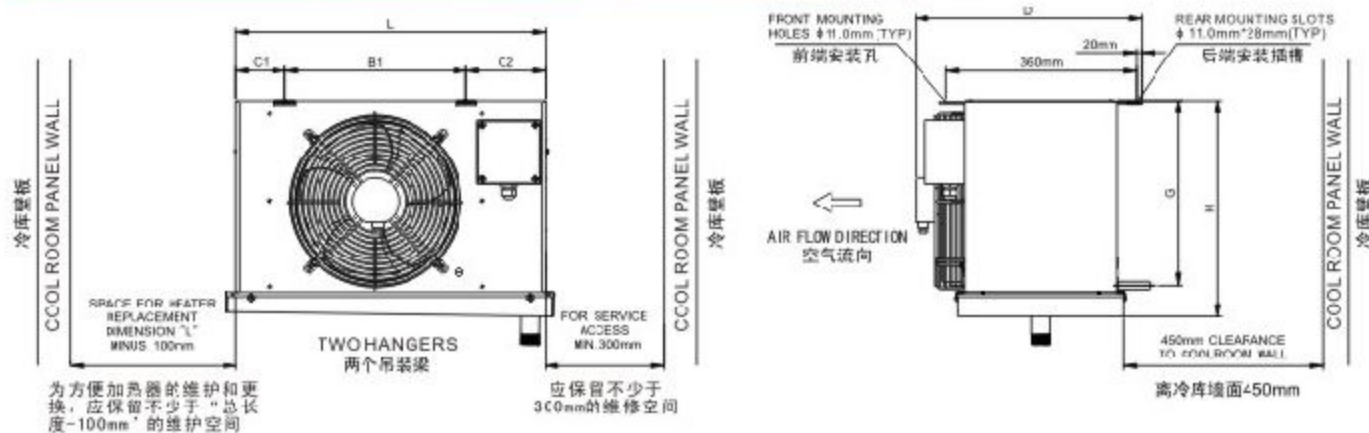
MEDIUM TEMPERATURE EVAPORATORS Fin Spacing 4.2 mm
中温蒸发器 翅片间距 4.2 mm

Type型号				E2-016-M	E2-021-M	E2-026-M	E2-035-M	E2-041-M	E2-053-M	E2-053-M	E2-081-M			
Capacity 制冷量	SC2	R404A	Kw	1.61	2.09	2.64	3.47	4.08	5.35	6.31	8.09			
		R22	Kw	1.56	2.05	2.58	3.42	3.96	5.25	6.14	7.88			
Air Flow 风量			M ³ /h	1310	1244	1139	2619	2489	2278	3733	3417			
Air Throw 送风距离			m	8	8	7	11	11	10	13	12			
Fan 风扇			No. XΦ	1x300	1x300	1x300	2x300	2x300	2x300	3x300	3x300			
Fan Moto 风扇电机 1/Phase/230V/50Hz			A	0.38	0.38	0.38	0.76	0.76	0.76	1.14	1.14			
			W	90	90	90	180	180	180	270	270			
Heater Defrost 电融霜			W	440	440	660	880	880	1320	1600	2400			
Sound Pressure Level 噪音			dB(A)1m	59	59	59	62	62	62	64	64			
Number of Hangers 吊装梁			No	2	2	2	2	2	2	2	2			
Dimensions 尺寸			L	Mm	615	615	615	1045	1045	1045	1483	1483		
			H	Mm	417	417	417	424	424	424	430	430	430	
			D	mm	455	455	455	455	455	455	455	455	455	
			A	mm	358	358	358	758	758	758	1158	1158	1158	
			B1	mm	358	358	358	758	758	758	1158	1158	1158	
			B2	mm	-	-	-	-	-	-	-	-	-	-
			B3	mm	-	-	-	-	-	-	-	-	-	-
			C1	mm	97	97	97	97	97	97	97	97	97	97
			C2	mm	157	157	157	187	187	187	222	222	222	222
			G	mm	353	353	353	353	353	353	353	353	353	353
Product Weight (empty) 重量			kg	14	15	20	20	24	31	33	42			
Connections 连接管尺寸			Inlet Φ 进口直径	mm	12.70	12.70	12.70	12.70	12.70	15.88	15.88			
			Outlet Φ 出口直径	mm	15.88	15.88	15.88	15.88	15.88	22.22	22.22	22.22		
Drain Pipe 排水管			NW"	NPT 1	NPT 1	NPT 1	NPT 1	NPT 1	NPT 1	NPT 1	NPT 1			

备注：标准中温冷风机无电融霜，若需要电加热请在型号后加上E，如E2-016-ME。

Note: Greenhalgh standard medium temperature evaporator is without heater, if you need heater please add E in nomenclature, for example: E2-016-ME.

示意图 Schematic



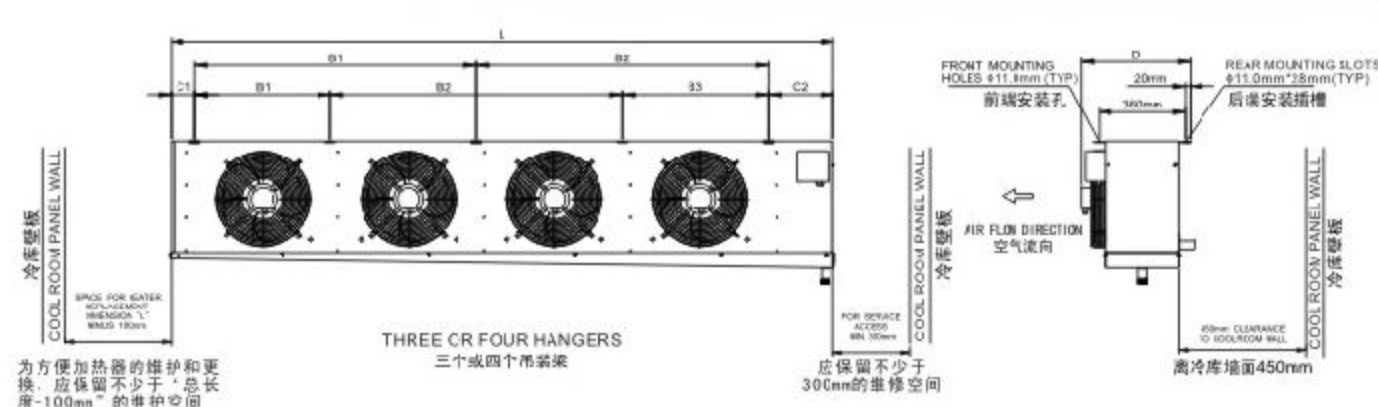
MEDIUM TEMPERATURE EVAPORATORS Fin Spacing 4.2 mm
中温蒸发器 翅片间距 4.2 mm

Type型号				E2 040 M	E2 050 M	E2 078 M	E2 102 M	E2 121 M	E2 152 M	E2 185 M	E2 206 M	
Capacity 制冷量	SC2	R404A	Kw	3.97	5.01	7.79	10.22	12.10	15.22	18.55	20.64	
		R22	Kw	3.89	4.87	7.57	10.05	11.82	14.76	18.30	20.29	
Air Flow 风量			m ³ /h	2446	2246	4892	4492	7336	6739	9358	8984	
Air Throw 送风距离			m	13	13	15	14	17	16	19	18	
Fan 风扇			No. XΦ	1x350	1x350	2x350	2x350	3x350	3x350	4x350	4x350	
Fan Moto 风扇电机 1/Phase/230V/50Hz			A	0.57	0.57	1.14	1.14	1.71	1.71	2.28	2.28	
			W	130	130	260	260	390	390	520	520	
Heater Defrost 电融霜			W	800	1200	1600	2400	2400	3600	4800	4800	
Sound Pressure Level 噪音			dB(A)1m	64	64	67	67	69	69	70	70	
Number of Hangers 吊装梁			No	2	2	2	2	4	4	3	3	
Dimensions 尺寸			L	Mm	820	820	1483	1483	2110	2110	2727	2727
			H	Mm	494	494	503	503	512	512	517	517
			D	mm	465	465	465	465	465	465	465	465
			A	mm	558	558	1158	1158	1758	1758	2359	2359
			B1	mm	558	558	1158	1158	558	558	1158	1158
			B2	mm	-	-	-	-	500	600	1201	1201
			B3	mm	-	-	-	-	500	600	-	-
			C1	mm	97	97	97	97	97	97	97	97
			C2	mm	165	165	222	222	246	246	267	267
			G	mm	421	421	421	421	421	421	421	421
Product Weight (empty) 重量			kg	22	28	36	43	52	68	77	86	
Connections 连接管尺寸			Inlet Φ 进口直径	mm	12.70	12.70	15.88	15.88	15.88	15.88	15.88	
			Outlet Φ 出口直径	mm	15.88	19.05	22.22	28.57	28.57	34.93	34.93	34.93
Drain Pipe 排水管			NW"	NPT 1	NPT 1	NPT 1	NPT 1	NPT 1	NPT 1	NPT 1	NPT 1	

备注：标准中温冷风机无电融霜，若需要电加热请在型号后加上E，如E2-016-ME。

Note: Greenhalgh standard medium temperature evaporator is without heater, if you need heater please add E in nomenclature, for example: E2-016-ME.

示意图 Schematic





E2系列冷风机

Evaporator E2 Series

The fresh keeper for The BEST

LOW TEMPERATURE EVAPORATORS Fin Spacing 6.0 mm
低温蒸发器 翅片间距 6.0 mm

Type 型号				E2-009-L	E2-012-L	E2-016-L	E2-020-L	E2-026-L	E2-034-L	E2-C39-L	E2-052-L	
Capacity 制冷量	SC3	R404A	Kw	0.90	1.22	1.57	1.98	2.63	3.40	3.90	5.17	
		R22	Kw	0.87	1.20	1.54	1.93	2.59	3.32	3.80	5.07	
Air Flow 风量			M ³ /h	1264	1210	1121	2528	2420	2242	3630	3363	
Air Throw 送风距离			m	8	8	7	11	11	10	13	12	
Sound Pressure Level 噪音			dB(A)1m	59	59	59	62	62	62	64	64	
Fan 风扇			No. XΦ	1x300	1x300	1x300	2x300	2x300	2x300	3x300	3x300	
Fan Moto 风扇电机 1/Phase/230V/50Hz			A	0.38	0.38	0.38	0.76	0.76	0.76	1.14	1.14	
			W	90	90	90	180	180	180	270	270	
Heater Defrost 电融霜 1Phase / 230V / 50Hz			Coil 盘管加热	W	440	440	660	880	880	1320	1600	2400
			Drip Tray 水盘加热	W	220	220	440	440	440	880	800	1600
Number of Hangers 吊装梁			No	2	2	2	2	2	2	2	2	
Dimensions 尺寸			L	mm	615	615	615	1045	1045	1045	1483	1483
			H	mm	427	427	427	434	434	434	440	440
			D	mm	455	455	455	455	455	455	455	455
			A	mm	358	358	358	758	758	758	1158	1158
			B1	mm	358	358	358	758	758	758	1158	1158
			B2	mm	-	-	-	-	-	-	-	-
			B3	mm	-	-	-	-	-	-	-	-
			C1	mm	97	97	97	97	97	97	97	97
			C2	mm	157	157	157	187	187	187	222	222
G	mm	353	353	353	353	353	353	353	353			
Product Weight (empty) 重量			kg	14	15	20	20	24	31	33	42	
Connections 连接管尺寸			Inlet Φ 进口直径	mm	12.70	12.70	12.70	12.70	12.70	15.88	15.88	
			Outlet Φ 出口直径	mm	15.88	15.88	15.88	15.88	19.05	22.22	22.22	28.57
Drain Pipe 排水口			NW*	NPT 1	NPT 1	NPT 1	NPT 1	NPT 1	NPT 1	NPT 1	NPT 1	

LOW TEMPERATURE EVAPORATORS Fin Spacing 6.0 mm
低温蒸发器 翅片间距 6.0 mm

Type 型号				E2-023-L	E2-032-L	E2-050-L	E2-065-L	E2-076-L	E2-098-L	E2-115-L	E2-129-L	
Capacity 制冷量	SC3	R404A	Kw	2.34	3.20	4.99	6.51	7.56	9.76	11.46	12.93	
		R22	Kw	2.29	3.14	4.89	6.39	7.43	9.51	11.15	12.57	
Air Flow 风量			m ³ /h	2370	2206	4741	4412	7112	6618	9138	8824	
Air Throw 送风距离			m	13	13	15	14	17	16	19	18	
Sound Pressure Level 噪音			dB(A)1m	64	64	67	67	69	69	70	70	
Fan 风扇			No. XΦ	1x350	1x350	2x350	2x350	3x350	3x350	4x350	4x350	
Fan Moto 风扇电机 1/Phase/230V/50Hz			A	0.57	0.57	1.14	1.14	1.71	1.71	2.28	2.28	
			W	130	130	260	260	390	390	520	520	
Heater Defrost 电融霜 1Phase / 230V / 50Hz			Coil 盘管加热	W	800	1200	1600	2400	2400	3600	4800	4800
			Drip Tray 水盘加热	W	400	800	800	1600	1200	2400	3200	3200
Number of Hangers 吊装梁			No	2	2	2	2	4	4	3	3	
Dimensions 尺寸			L	mm	820	820	1483	1483	2110	2110	2727	2727
			H	mm	504	504	513	513	522	522	527	527
			D	mm	465	455	465	465	465	465	465	465
			A	mm	558	558	1158	1158	1758	1758	2359	2359
			B1	mm	558	558	1158	1158	558	558	1158	1158
			B2	mm	-	-	-	-	600	600	1201	1201
			B3	mm	-	-	-	-	600	600	-	-
			C1	mm	97	97	97	97	97	97	97	97
			C2	mm	165	155	222	222	246	246	267	267
G	mm	421	421	421	421	421	421	421	421			
Product Weight (empty) 重量			kg	22	28	36	48	52	68	77	86	
Connections 连接管尺寸			Inlet Φ 进口直径	mm	12.70	12.70	15.88	15.88	15.88	15.88	22.22	
			Outlet Φ 出口直径	mm	19.05	22.22	28.57	28.57	34.93	34.93	34.93	41.28
Drain Pipe 排水口			NW*	NPT 1	NPT 1	NPT 1	NPT 1	NPT 1	NPT 1	NPT 1	NPT 1	

示意图
Schematic

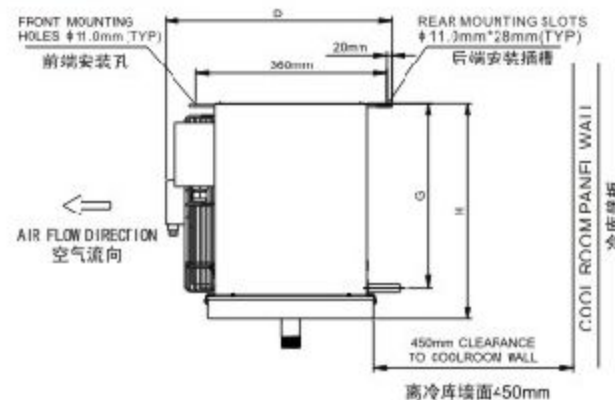
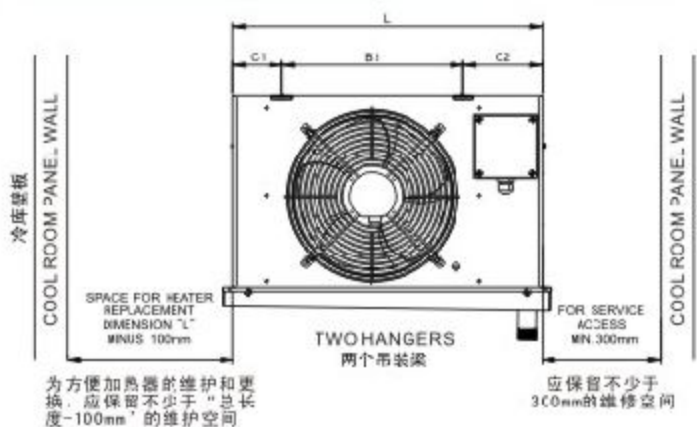
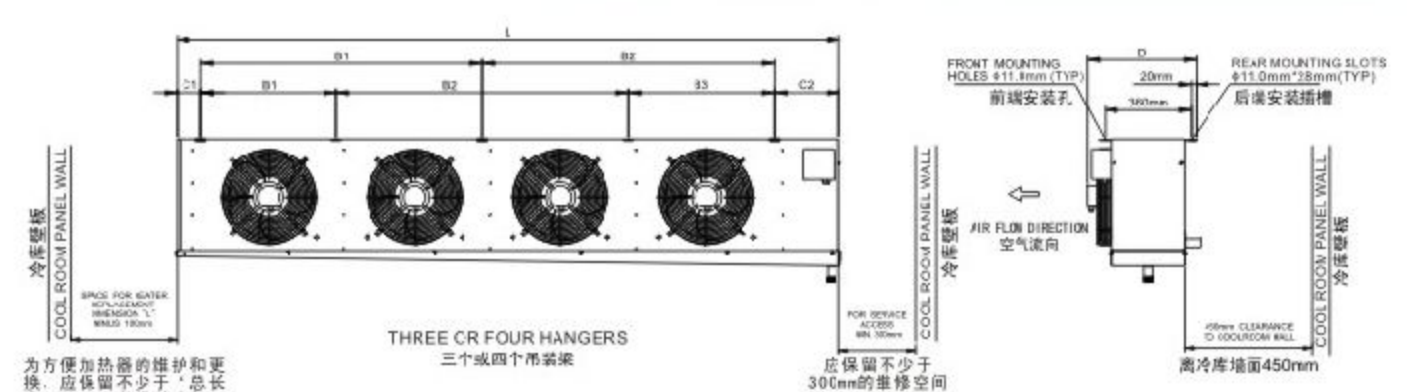


示意图
Schematic



应保留不少于300mm的维护空间
高冷库墙面450mm