

财富热线
+86 758 3602818



The fresh keeper for
The **BEST**
Since 1958 from Australia



肇庆格林和制冷设备有限公司

Zhaoqing Greenhalgh Refrigeration Equipment Co., Ltd.

地址:广东省肇庆高新技术产业开发区临江工业园宝石路 邮编:526238
Address:Baoshi Road Linjiang Industrial Park Zhaoqing High-Tech Industry
Development Zone Guangdong, China, 526238

电话(Tel):+86-758-3602818

传真(Fax):+86-758-3130170

邮箱(E-mail):sales@greenhalgh-zq.com

网址(Website):www.greenhalgh-zq.com

C1系列风冷冷凝器
Air cooled Condenser C1 Series

应用优点

Application benefits/ Features

The fresh keeper for The BEST

高效换热器

High efficiency heat exchanger

- 合理的设计在获得最大换热量的同时减少风扇能耗
- 合理的铜管设计减少制冷剂在盘管中的压降 (R404为制冷剂时最大温降为0.63 K)
- 格林和的热力学及空气动力学设计软件在德国应用多年, 得到市场的充分验证
- Capacity designs for maximizing the heat transfer relative to the energy consumption of the fan
- Tube and tube coupling design for low pressure drop in the coil on the refrigerant sides(maximum 0.63 K at R404a designing condition)
- The Greenhalgh thermodynamic and aerodynamic designing software is long year tested and proved in Germany

风扇

Fan

- 格林和只选用低能耗风扇
- 合理的风扇喷嘴设计能够最大限度提高空气流动性并降低噪音
- 实践证明我们的风扇运行稳定、使用寿命长
- 电机防水防尘等级:IP54,绝缘等级:F
- 每个风扇都是独立的分隔腔
- Greenhalgh chooses only low specific energy consumption fans
- Fan nozzle designs for maximum air flow and air throw
- Our fans from the world's leading manufacturer are practically proved to be reliable in operation and long lasting
- Motor : protection class IP 54 and Insulation class F
- Separate chamber for each fan

我们是你通过HACCP认证的最佳帮手
We facilitate you to meet HACCP

- 格林和帮助你们减少维护, 提高产品使用寿命
- 优质镀锌钢板粉体涂装外壳
- 两侧加上侧板保护配管
- 合理的设计有利于户外安装
- 每个产品在31 bar条件下进行检漏测试
- We facilitate you to have a long lasting and low maintenance operation
- Durable material and rigid enclosure with hard gloss powder coated finish
- Protective enclosure for both manifolds and U-bends
- Unit designs for outdoor installation
- 100% leakage tested at 31 bar

特殊加工

OPTIONS

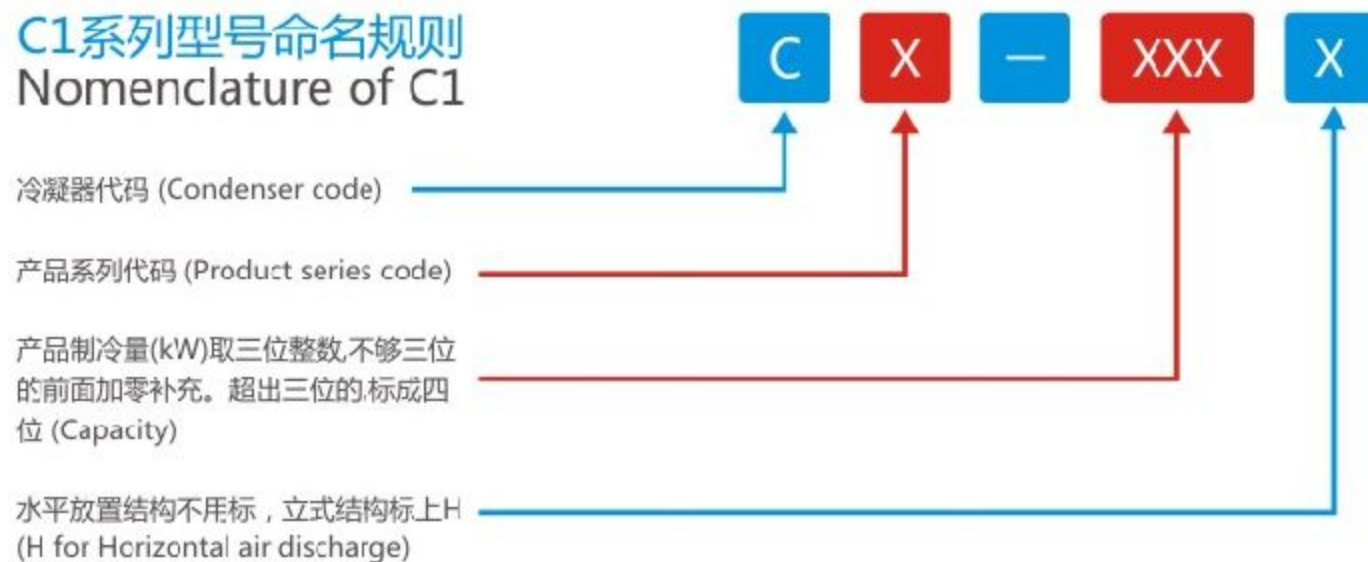
- 可根据客户要求设计使用不同制冷剂的盘管,如 R410A、R407C
- 多回路
- 过冷回路
- 不锈钢外壳或铝外壳
- 铝翅片、铜翅片和防腐金箔
- 防爆电机
- 指定片距
- Coil design for refrigerants: F410A, R407C
- Multiple circuits
- Sub-Cooling circuits
- Stainless steel or aluminium casing
- Coated aluminium、copper fins and anti-corrosion epoxy fin
- Explosion proof motor
- Customized fin spacing

工况条件

Catalogue Rating Condition

- 进风温度25℃
- 冷凝温度40℃
- 制冷剂进口温度65℃
- 液体过冷度3K
- 相对湿度40%
- 大气压力1 bar
- Air inlet temperature 25℃
- Saturated condensing temperature 40℃
- Refrigerant inlet temperature 65℃
- Liquid sub-cooling 3K
- Relative Humidity 40%
- Atmosphere pressure 1 bar(sea level)

C1系列型号命名规则 Nomenclature of C1





C1系列风冷冷凝器

Air cooled Condenser C1 Series

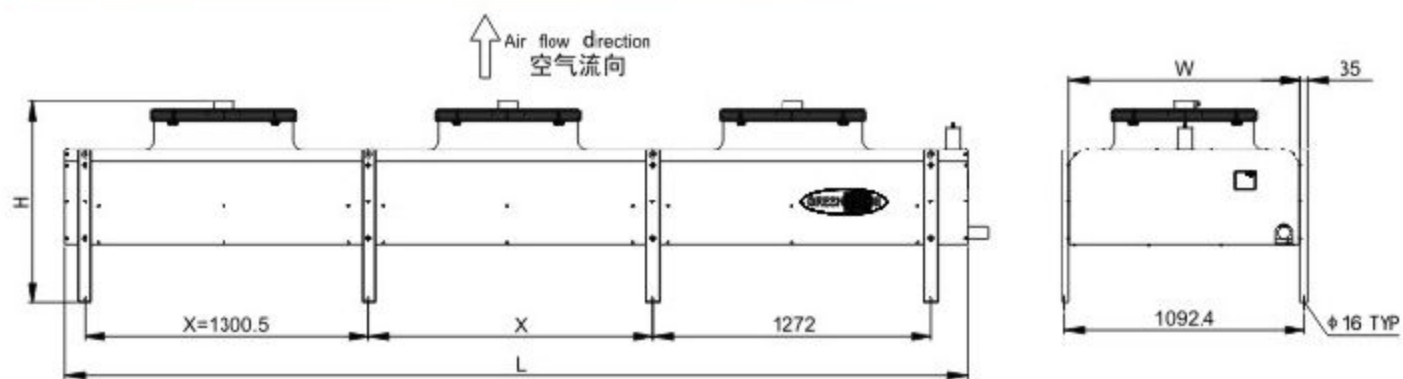
The fresh keeper for The BEST

Air cooled condenser Fin Spacing 2.2 mm
风冷冷凝器

Type 型号			C1-010	C1-011	C1-012	C1-017	C1-020	C1-023	C1-025			
Capacity 换热量	R404A	△	9.59	11.03	12.32	17.14	20.03	23.11	25.38			
		Y				15.47	17.99	20.65	22.66			
	R22	△				9.34	10.65	11.70	16.89	19.58	22.15	24.87
		Y							15.19	17.51	19.72	22.12
Air Flow 风量		△	2692	2539	2292	5717.00	5330.00	4718.00	7701.00			
		Y				4874.00	4635.00	4220.00	6513.00			
Fan Motor 风扇电机		△	1	1	1	3	3	3	3			
		Y				3	3	3	3			
		△				175	175	175	540.00	540.00	540.00	790.00
		Y							380.00	380.00	380.00	490.00
		△				0.77	0.77	0.77	1.05	1.05	1.05	1.45
		Y							0.58	0.68	0.68	0.89
Fan 风扇		No.xΦ	1x1x350	1x1x350	1x1x350	1x1x450	1x1x450	1x1x450	1x1x500			
Sound Pressure Level 噪音		△	31	31	31	43.00	43.00	43.00	49.00			
		Y				38.00	38.00	38.00	43.00			
Dimension 外型尺寸	L	mm	878	878	878	1028	1028	1028	1228			
	W	mm	522	522	522	625	625	625	828			
	H	mm	752	752	752	796	796	796	876			
Product Weight (empty) 重量		kg	32	35	40	46	50	56	63			
Inlet Φ进口直径		mm	15.88	15.88	15.88	22.22	22.22	22.22	22.22			
Outlet Φ出口直径		mm	15.88	15.88	15.88	15.88	19.05	19.05	22.22			

备注：我们标准产品为水平放置，如果需要立式结构请在型号后加上（H）如C1-010（H）。
Note: Greenalgh standard C1 is vertical air discharge, for horizontal air discharge please add (H) in nomenclature for example: C1-010(H).

示意图
Schematic

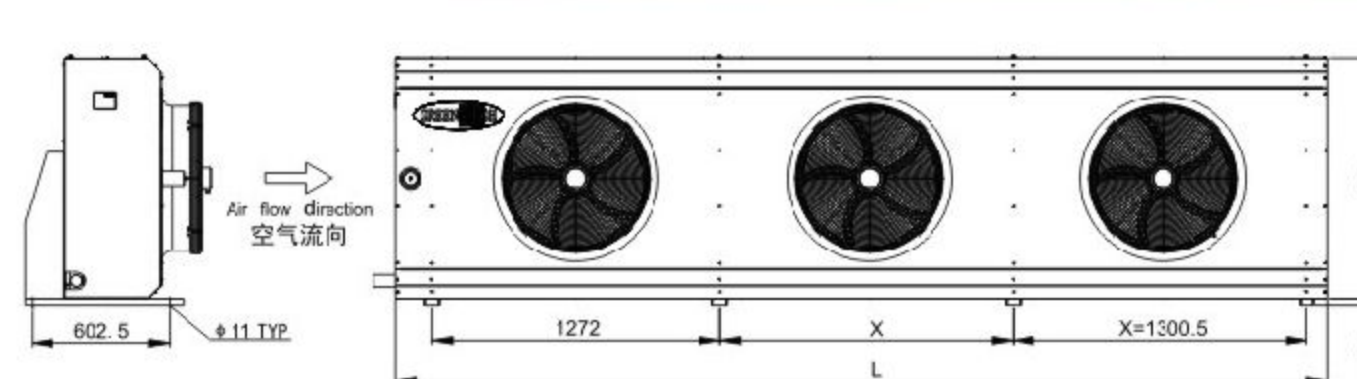


Air cooled condenser Fin Spacing 2.2 mm
风冷冷凝器

Type 型号			C1-029	C1-035	C1-049	C1-059	C1-070	C1-095	C1-114							
Capacity 换热量	R404A	△	29.44	34.67	49.02	58.62	70.09	94.96	113.94							
		Y								26.13	30.76	38.31	44.53	50.53	74.69	87.13
	R22	△								28.71	33.14	48.52	57.60	67.53	94.46	112.48
		Y														
Air Flow 风量		△	7407.00	6838.00	17809	16944	15434	35620	33891							
		Y								6386.00	6105.00	11549	11086	10093	23081	22157
Fan Motor 风扇电机		△	3	3	3	3	3	3	3							
		Y								3	3	3	3	3	3	
		△								790.00	790.00	2600	2600	2600	5200	5200
		Y														
		△								1.45	1.45	4.80	4.80	4.80	9.60	9.60
		Y														
Fan 风扇		No.xΦ	1x1x500	1x1x500	1x1x630	1x1x630	1x1x630	2x1x630	2x1x630							
Sound Pressure Level 噪音		△	49.00	49.00	59	59	59	61	61							
		Y								43.00	43.00	52	52	52	54	54
Dimension 外型尺寸	L	mm	1228	1228	1528	1528	1528	2828	2828							
	W	mm	828	828	1032	1032	1032	1032	1032							
	H	mm	876	876	920	920	920	920	920							
Product Weight (empty) 重量		kg	69	76	110	115	130	198	218							
Inlet Φ进口直径		mm	28.57	28.57	34.92	34.92	41.28	41.28	53.90							
Outlet Φ出口直径		mm	22.22	22.22	28.58	28.58	34.92	34.92	41.28							

备注：我们标准产品为水平放置，如果需要立式结构请在型号后加上（H）如C1-010（H）。
Note: Greenalgh standard C1 is vertical air discharge, for horizontal air discharge please add (H) in nomenclature for example: C1-010(H).

示意图
Schematic





C1系列风冷冷凝器

Air cooled Condenser C1 Series

The fresh keeper for The BEST

Air cooled condenser Fin Spacing 2.2 mm
风冷冷凝器

Type 型号			C1-137	C1-172	C1-207	C1-228	C1-275	C1-345	C1-414
Capacity 换热量	R404A	△	137.37	172.31	207.09	227.89	274.73	344.62	414.18
		Y	99.61	131.80	149.21	174.26	199.23	263.59	298.41
	R22	△	132.90	164.26	197.14	224.96	265.81	328.51	394.27
		Y	95.28	126.04	141.80	170.03	190.55	252.09	283.61
Air Flow 风量		△	30872	50835	46307	67782	61744	101671	92613
		Y	20175	33244	30261	44314	40350	66488	60522
Fan Motor 风扇电机	Phase	△	3	3	3	3	3	3	3
		Y	3	3	3	3	3	3	3
	W	△	5200	7800	7800	10400	10400	15600	15600
		Y	3200	4800	4800	6400	6400	9600	9600
	A	△	9.60	14.40	14.40	19.20	19.20	28.80	28.80
		Y	5.40	8.10	8.10	10.80	10.80	16.20	16.20
Fan 风扇	No.xΦ	2x1x630	3x1x630	3x1x630	2x2x630	2x2x63	2x3x630	2x3x630	
Sound Pressure Level 噪音	DB(A)10m	△	61	63	63	64	64	66	66
		Y	54	56	56	57	57	59	59
Dimension 外型尺寸	L	mm	2828	4128	4128	2828	2828	4128	4128
	W	mm	1032	1058	1058	2100	2100	2100	2100
	H	mm	920	920	920	920	920	920	920
Product Weight (empty) 重量	kg	253	316	370	450	590	625	735	
Inlet Φ进口直径	mm	53.90	63.50	63.50	63.50	76.20	76.20	88.90	
Outlet Φ出口直径	mm	41.28	53.90	53.90	53.90	63.50	63.50	76.20	

备注：我们标准产品为水平放置，如果需要立式结构请在型号后加上（H）如C1-010（H）。
Note: Greenalgh standard C1 is vertical air discharge, for horizontal air discharge please add (H) in nomenclature for example: C1-010(H).

示意图
Schematic

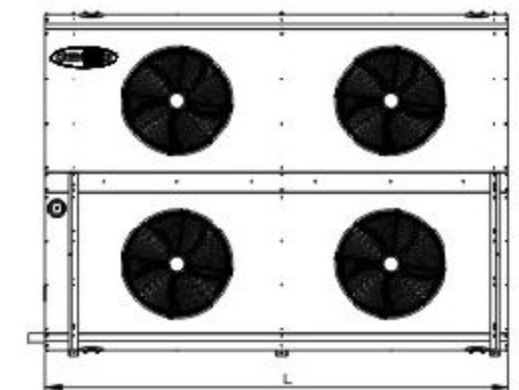
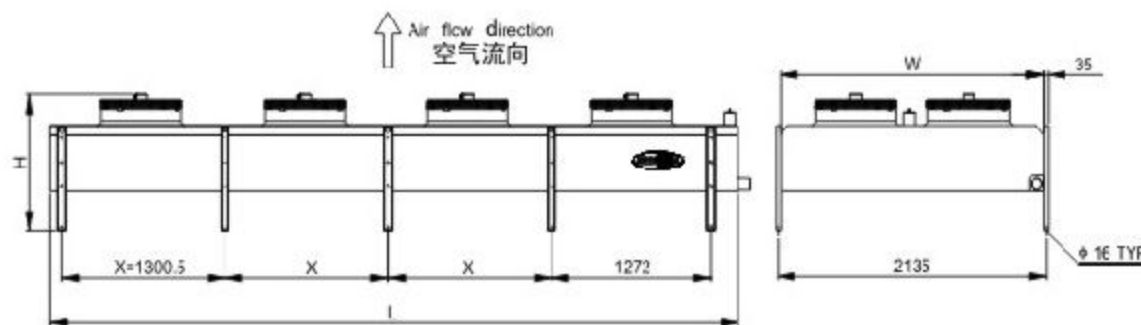


示意图
Schematic

备注：我们标准产品为水平放置，如果需要立式结构请在型号后加上（H）如C1-010（H）。
Note: Greenalgh standard C1 is vertical air discharge, for horizontal air discharge please add (H) in nomenclature for example: C1-010(H).

Air cooled condenser Fin Spacing 2.2 mm
风冷冷凝器

Type 型号			C1-471	C1-550	C1-599	C1-711	C1-858	C1-1000	C1-1135
Capacity 换热量	R404A	△	471.45	549.99	598.70	710.80	858.36	1000.39	1134.73
		Y	355.70	399.74	451.93	506.34	612.25	716.33	817.71
	R22	△	441.41	508.34	559.66	662.90	799.16	929.13	1050.55
		Y	333.17	372.23	422.96	471.85	569.99	666.02	759.00
Air Flow 风量		△	135549	123488	169426	154328	185186	216052	246928
		Y	88686	80709	110917	100935	121158	141365	161553
Fan Motor 风扇电机	Phase	△	3	3	3	3	3	3	3
		Y	3	3	3	3	3	3	3
	W	△	20800	20800	26000	26000	31200	36400	41600
		Y	12800	12800	16000	16000	19200	22400	25600
	A	△	38.40	38.40	48.00	48.00	57.60	67.20	76.80
		Y	21.60	21.60	27.00	27.00	32.40	37.80	43.20
Fan 风扇	No.xΦ	2x4x630	2x4x630	2x5x630	2x5x630	2x6x630	2x7x630	2x8x630	
Sound Pressure Level 噪音	DB(A)10m	△	67	67	68	68	69	70	71
		Y	60	60	61	61	62	63	64
Dimension 外型尺寸	L	mm	5480	5480	6780	6780	8080	9380	10680
	W	mm	2100	2100	2100	2100	2100	2100	2100
	H	mm	920	920	920	920	920	920	920
Product Weight (empty) 重量	kg	923	992	1132	1208	1420	1625	1832	
Inlet Φ进口直径	mm	88.90	104.70	104.70	114.30	2x88.90	2x104.70	2x104.70	
Outlet Φ出口直径	mm	76.20	88.90	88.90	104.70	2x76.20	2x76.20	2x88.90	